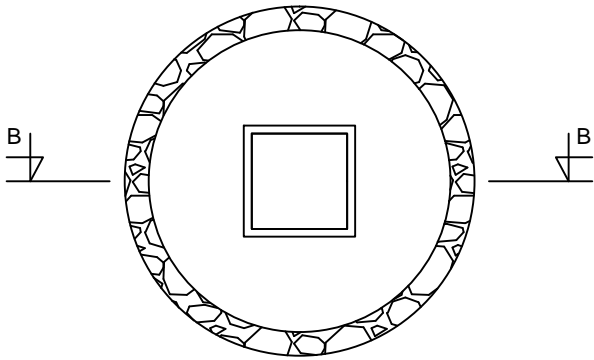
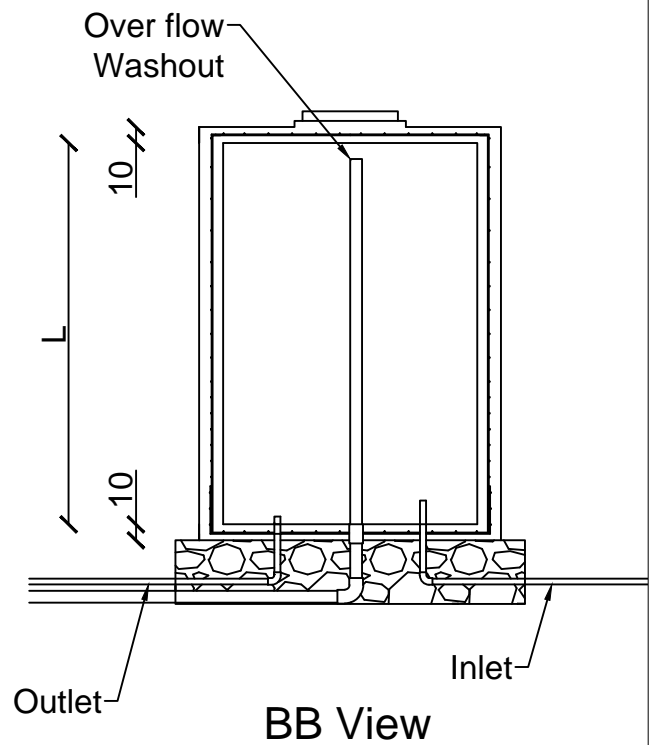
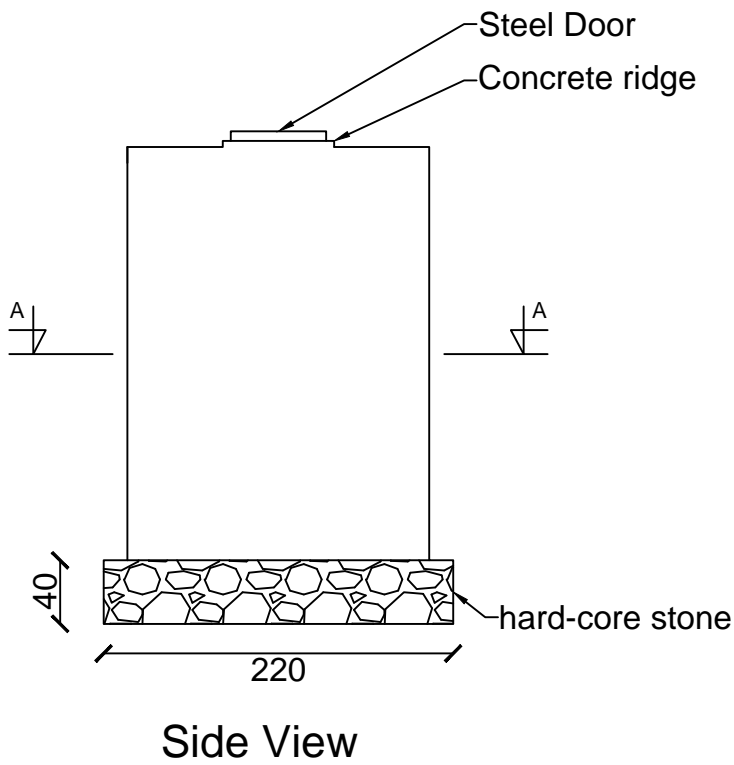
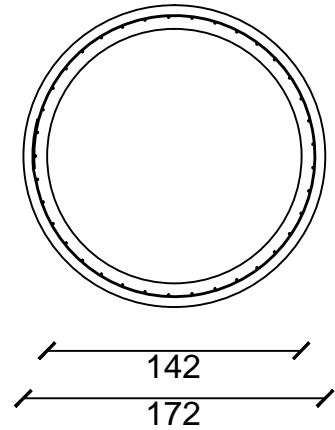


Top View



AA View



**High of Reservoir adapted to the number of user and inlet flow**

H = 80 cm	V = 1.2 m <sup>3</sup>
H = 180 cm	V = 2.8 m <sup>3</sup>
H = 280 cm	V = 4.4 m <sup>3</sup>

Unless otherwise specified :  
All concrete ratio 1 : 2 : 3

**Reinforcement details**

Elements		Rebar Ø	Rebar spacing
Bottom Slab		8 mm	15 cm
Wall	Horizontal ring top section (H to H - 80cm)	6 mm	20 cm
	Hor. ring Medium sec. (H - 80 to H - 180 cm)	6 mm	15 cm
	Hor. ring lower section (H -180 to H - 280 cm)	6 mm	10 cm
Vertical rebar		6 mm	15 cm
Top Slab		6 mm	15 cm