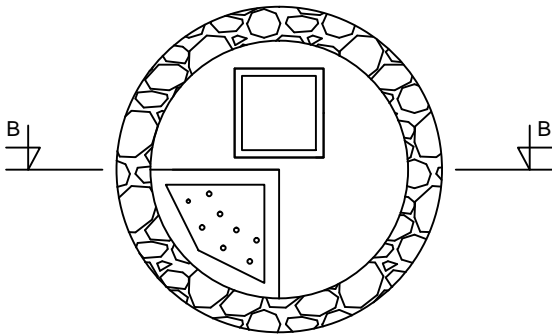
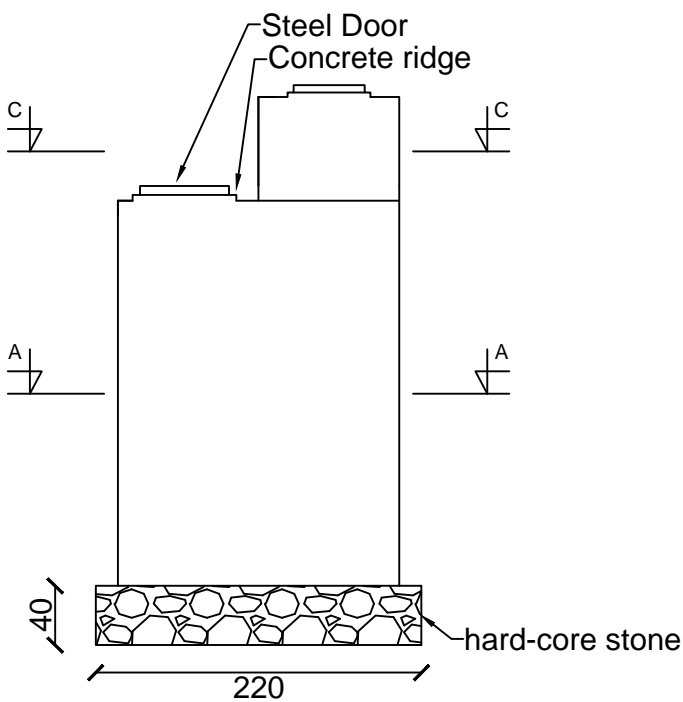
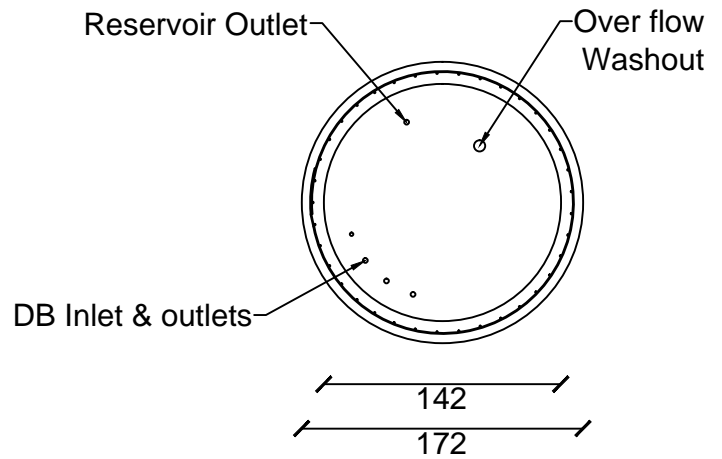


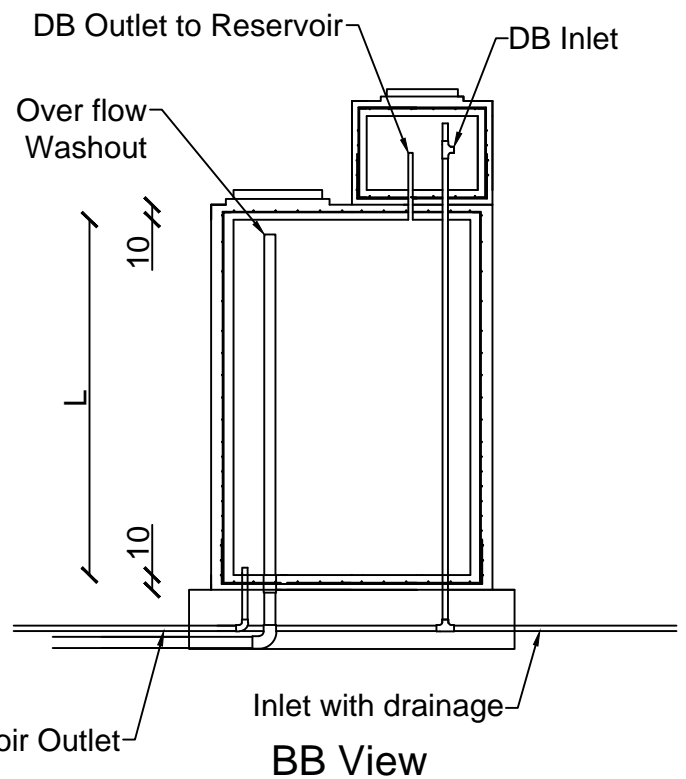
CC View



AA View



Side View



BB View

High of Reservoir adapted to the number of user and inlet flow

| | |
|------------|------------------------|
| H = 80 cm | V = 1.2 m ³ |
| H = 180 cm | V = 2.8 m ³ |
| H = 280 cm | V = 4.4 m ³ |

For DB design See "Standard DB"

Unless otherwise specified :
All concrete ratio 1 : 2 : 3

Reinforcement details

| Elements | | Rebar Ø | Rebar spacing |
|----------------|---|---------|---------------|
| Bottom Slab | | 8 mm | 15 cm |
| Wall | Horizontal ring top section (H to H - 80cm) | 6 mm | 20 cm |
| | Hor. ring Medium sec. (H - 80 to H - 180 cm) | 6 mm | 15 cm |
| | Hor. ring lower section (H - 180 to H - 280 cm) | 6 mm | 10 cm |
| Vertical rebar | | 6 mm | 15 cm |
| Top Slab | | 6 mm | 15 cm |

Concrete Reservoir DB

Update: 2019

Unit: cm

Inter Aide France