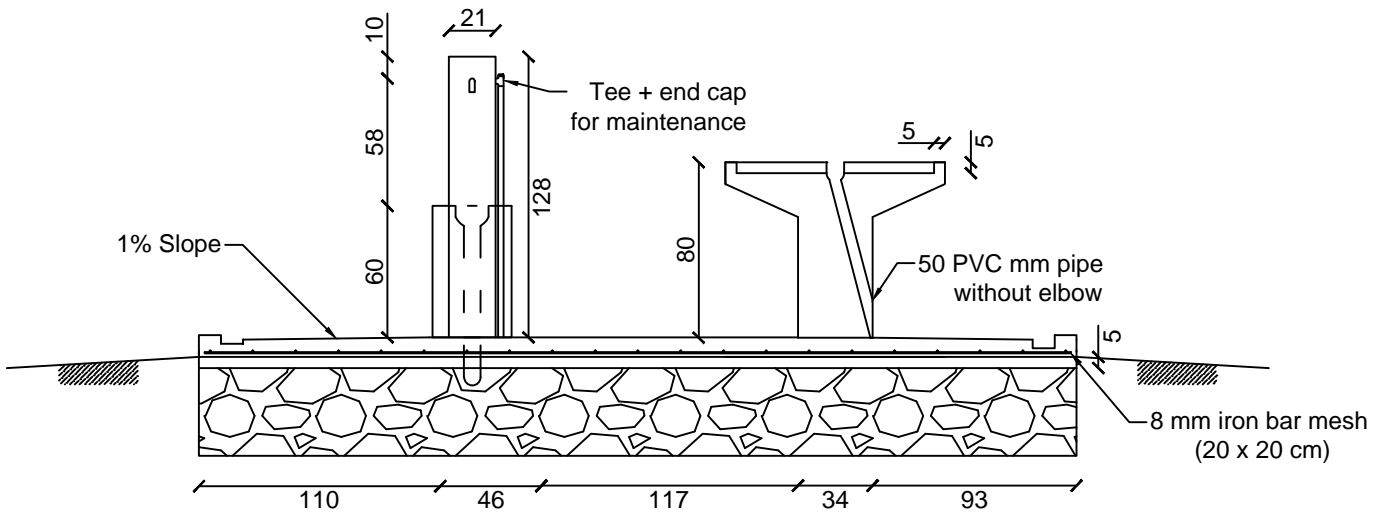
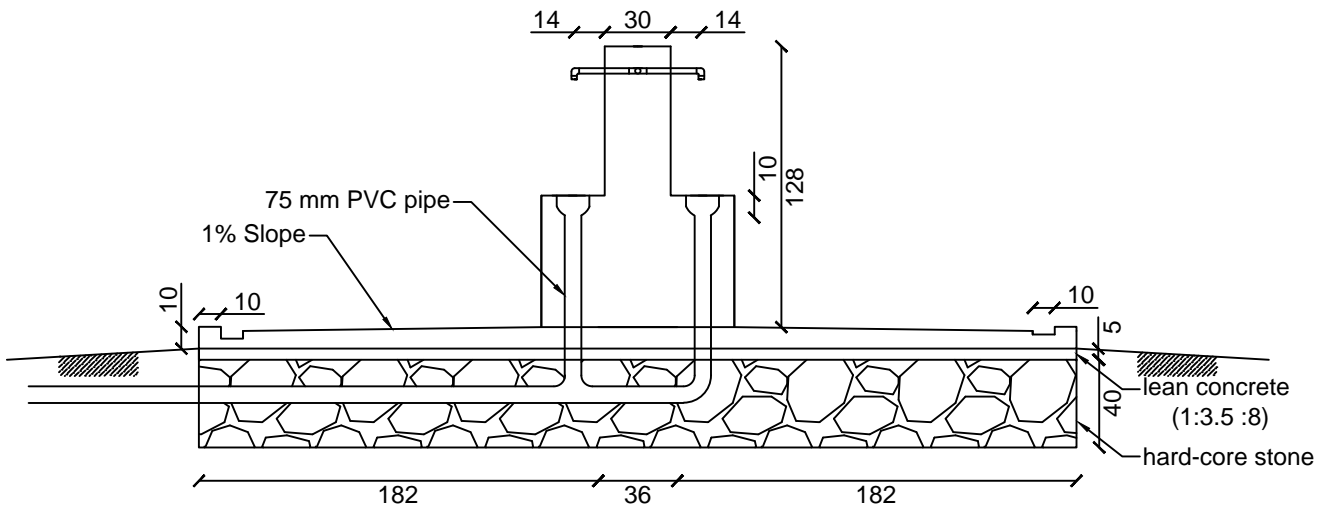


AA View



BB View

Unless otherwise specified :

All concrete ratio 1 : 2 : 4

Double water point

Elevation

Update: 2017

Unit: cm

Inter Aide France