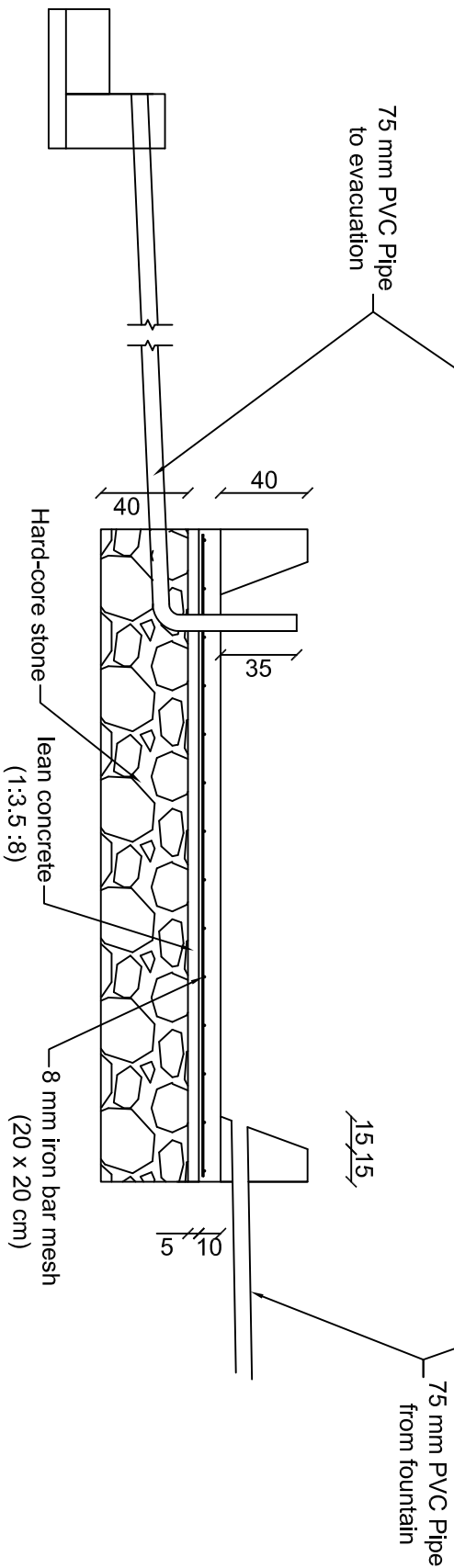
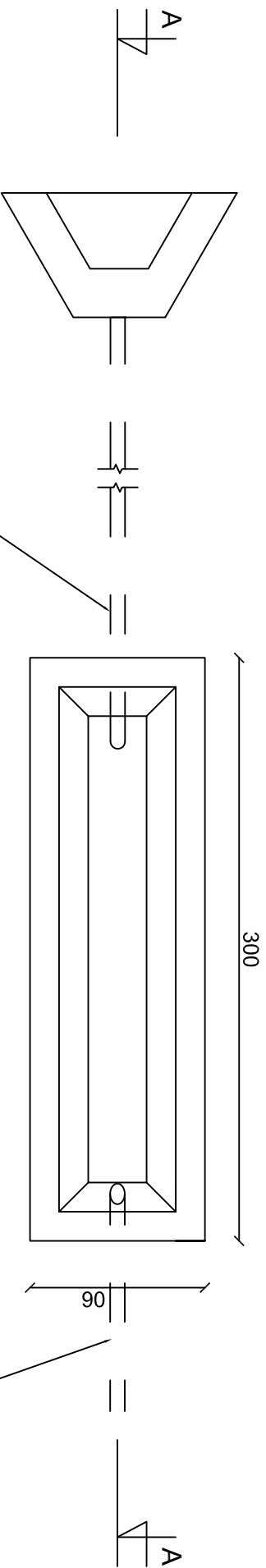


# Top View



Orientation of pipes and evacuation may vary with site topography

Unless otherwise specified :  
All concrete ratio 1 : 2 : 4

Cattle trough	Top View	Update: 2017	Unit: cm	Inter Aide France
---------------	----------	--------------	----------	-------------------